



Dickey Manufacturing Company

TRAILOK, TRAILOK II, & the Economy Lock

- APPLICATIONS**
- ↪ Any standard kingpin equipped trailer



TRAILOK:

The DMC High Security Kingpin Lock offers the ultimate in trailer theft prevention.

The TRAILOK combines the overall toughness of ADI (Austempered Ductile Iron) with the flame cutting resistance of aluminum. This combination of materials offers superior protection compared to devices manufactured from single base materials.

The “dead bolt” style locking mechanism is controlled by a high security ABLOY® lockset. The ABLOY® system offers maximum key security with restricted, patented key profiles. The locking cylinder contains no springs or pins which could malfunction in the presence of dirt, moisture, poor weather conditions, corrosion or freezing. A unique rotating detainer disk system makes the ABLOY® cylinder virtually pick proof.

For additional security and convenience, the locks can be individually keyed, keyed alike, master-keyed or grand-master-keyed.

DMC offers a wide variety of ABLOY® high security padlocks which can be incorporated into the same keying system as the TRAILOK

TRAILOK II:

Unique clam-shell design utilizes a standard Master or Abloy padlock to secure the all aluminum body. The cone shape and solid design offer a high level of security at an economical price.

ECONOMY LOCK:

The economy lock offers basic protection for trailers and will detour trailer theft. Closed end retains and helps prevent the spread of fifth-wheel grease.





Dickey Manufacturing Company

The DMC Economy Kingpin Lock



The economy kingpin lock offers a closed bottom design for added grease control and easy in easy installation. The closed design keeps the grease contained within the lock and off of the installer.

The economy lock is installed using only the key, no installation tools are required.

Significantly increases the security of a parked trailer through the use of the DMC Economy Kingpin lock.

For added security use in conjunction with other security devices or for the ultimate kingpin security lock use the Trailok High Security Lock.

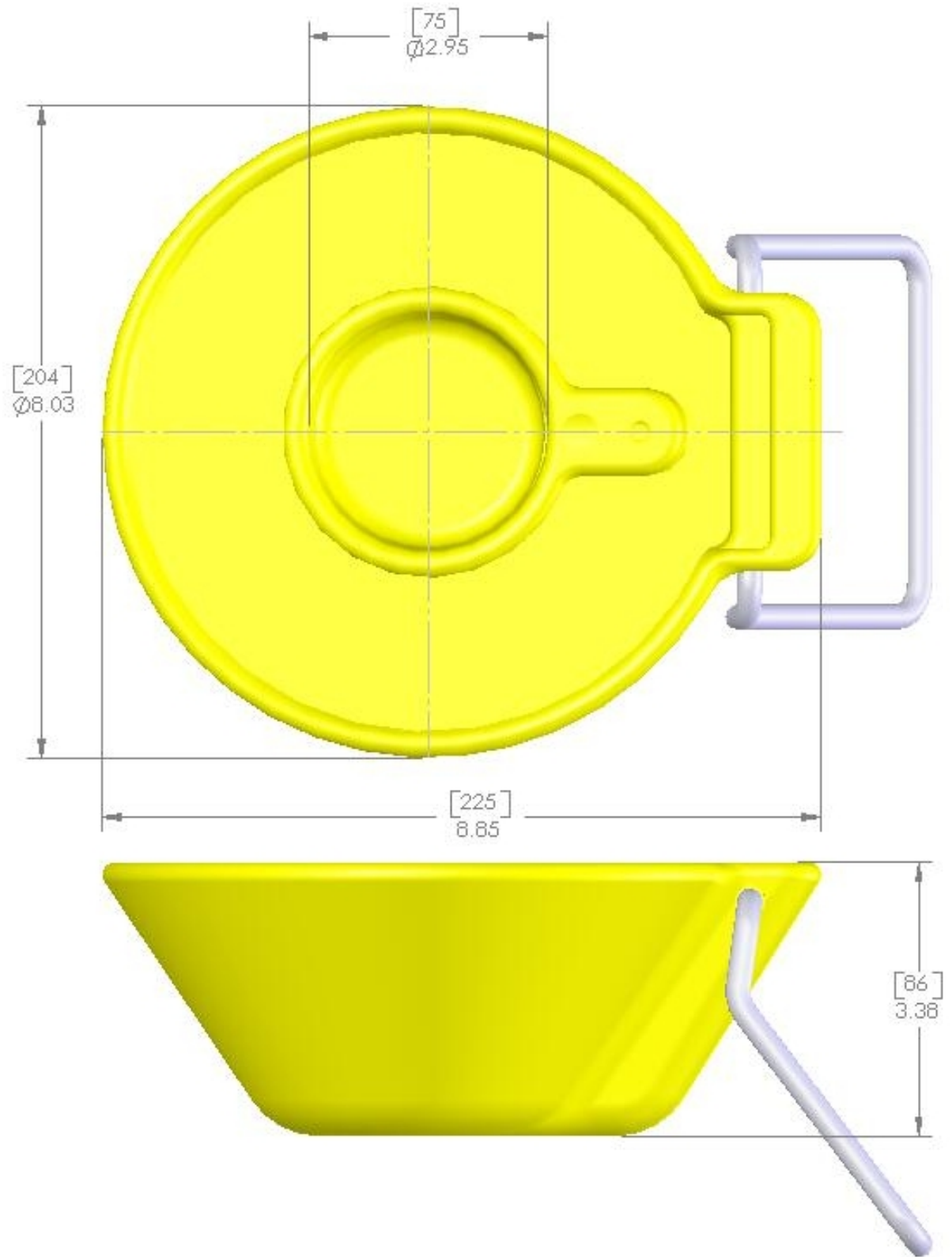
APPLICATIONS:

- Trailer sitting in high traffic parking lots
- Travel trailers parked at home, on the road, or in a campground
- Use during loading or unloading to prevent unintentional movement
- Use during service or maintenance
- Anywhere a trailer sits unattended

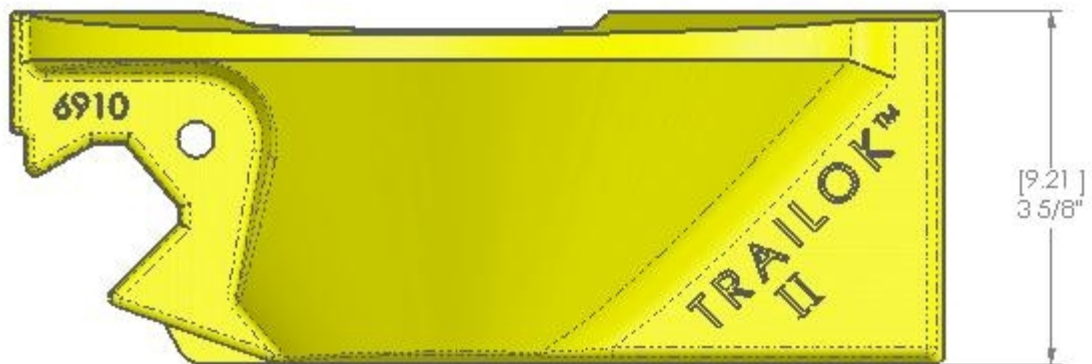
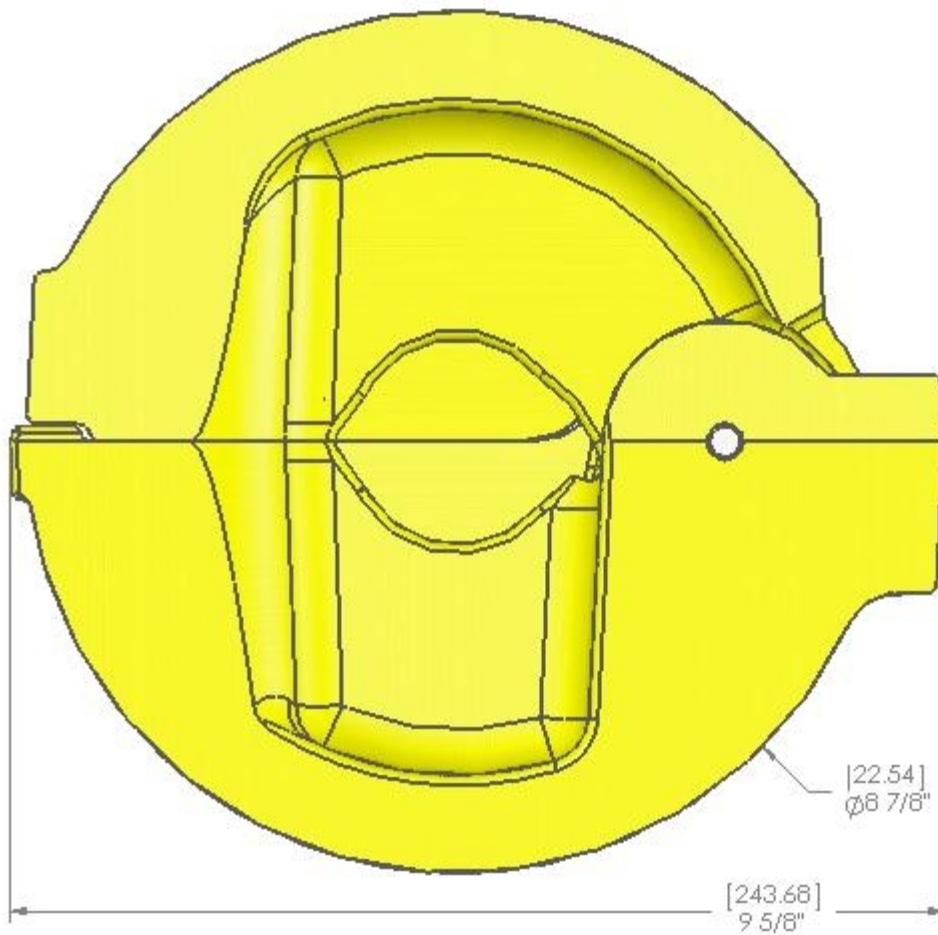
SPECIFICATIONS:

- Ductile iron casting
- 5/8" locking bolt
- Floating lock cylinder
- Removable lock cylinder for easy cleaning
- Can be keyed alike





TRAILOK



TRAILOK II