

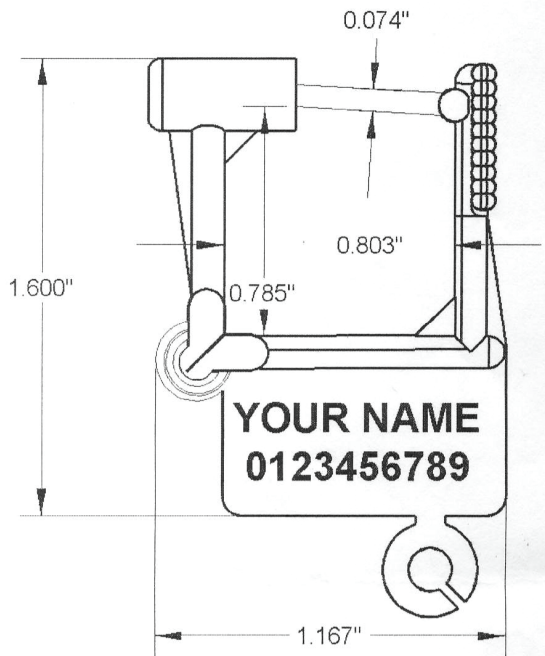


Dickey Manufacturing Company

Demand Seal

Common Applications:

- Medical Cabinets
- Cash Bags
- Crash Carts
- Liquor Cart Doors
- Electric, Gas, & Water Meters
- Totes
- Evidence boxes
- ATM Cassettes
- Ammunition Boxes
- Inspection Doors
- Zippered Cash Bags
- Tool Boxes



Red*, Green, Blue,* Yellow*, Black, Orange, White, Gray, Purple, Burgundy, Lt Green
* Stock Color

Features:

- Designed for easy tool-less application and removal
- Consecutive numbering, custom printing of name, barcoding, and logos available
- Sturdy hinge allows one hand closing
- Easily removes without causing damage yet strong enough to prevent accidental breakage
- Polypropylene Plastic
 - Blushes if tampered
 - Recyclable
- Available as a Stock item or can be Customized
- Molded in a wide variety of color options

Specifications:

- Average pull-apart force: 8lbs
- Polypropylene Plastic

Packaging:

- 100 Seals per bag, up to 5000 seals per case
- One case: 24"x12"x15", 18 lbs.

