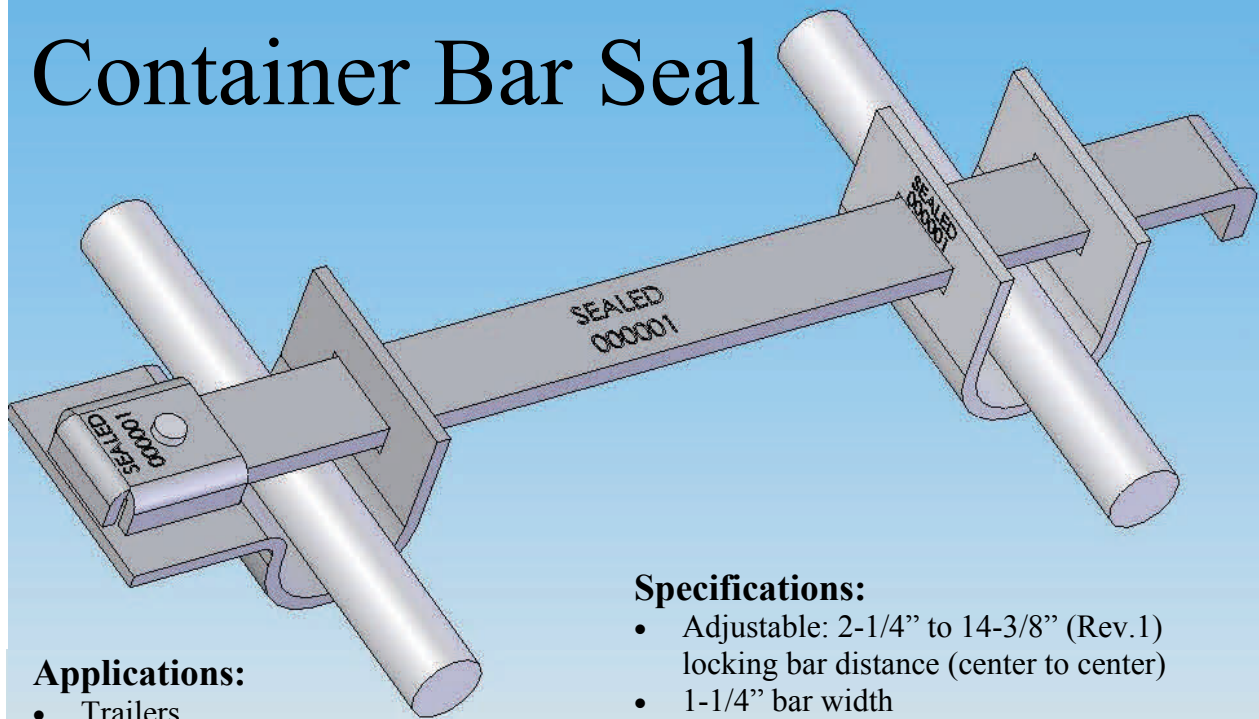


# Container Bar Seal



## Applications:

- Trailers
- Inter-modal containers
- Dual swing doors utilizing locking rods

## Features:

- **Hardened** steel construction
- Can not be cut with a hacksaw
- No weld lines
- Painted finish
- Laser identification
- Each piece numerically matched to prevent component replacement
- Economical
- High Strength & High Security
- One time use
- Easy installation
- Adjustable length
- Unique serial numbers

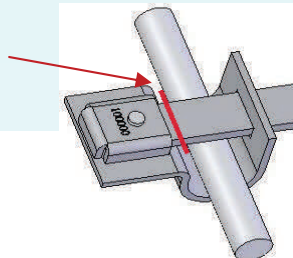
## Specifications:

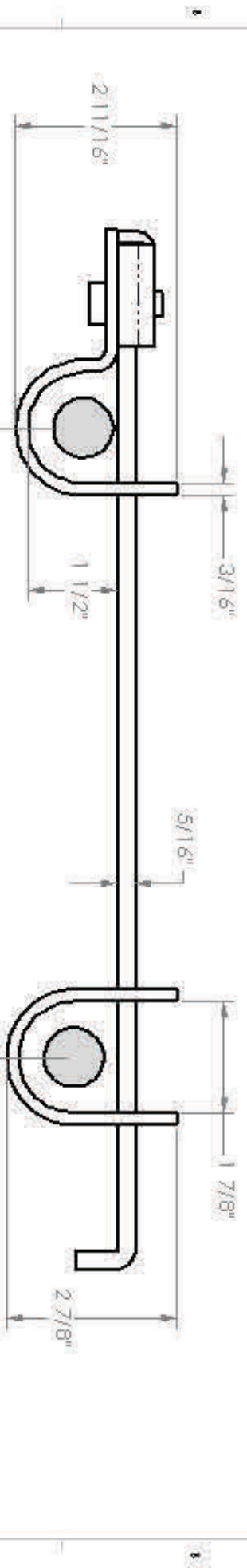
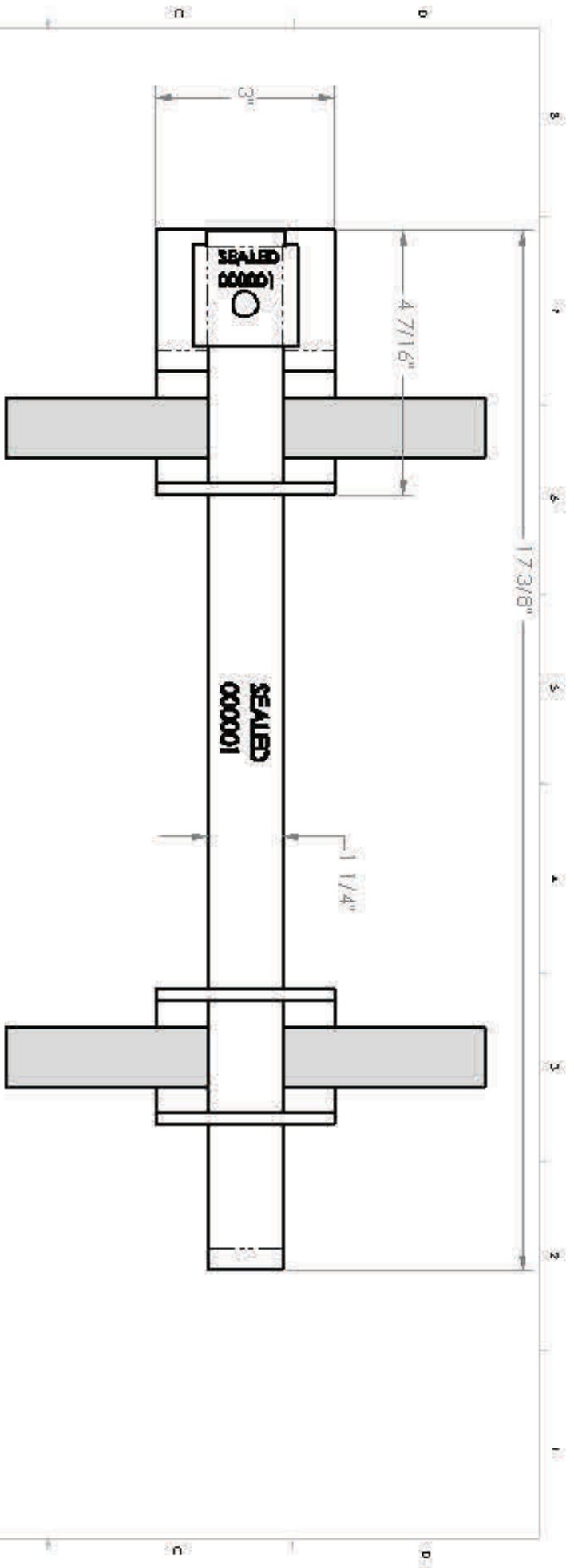
- Adjustable: 2-1/4" to 14-3/8" (Rev.1) locking bar distance (center to center)
- 1-1/4" bar width
- 5/16" thick main bar
- Seamless 3/16" thick rod cups
- Main Bar Shear Strength >16,000 lbs

## Installation / Removal:

- Slide U-bracket around right-side inner locking rod
- Insert main bar through slots in installed U-bracket, Slide through slots right to left **with bend in main bar facing container**
- Slide locking U-bracket around left inner locking rod
- Slide main bar through slots in the locking U-bracket
- Align holes in locking U-bracket and main bar
- Insert locking bolt to securely affix the locking bar - check for proper locking
- Record bar number on shipping documents
- To remove: Inspect seal for tampering and matching serial numbers before removal. While wearing proper safety equipment, cut the bar at the shown location with an abrasive cut-off /grinding wheel.

Cutting point





LIMITED WARRANTY  
 DMC  
 BAR SEAL  
 54  
 1. PROPR. LOGO  
 BarSeal